

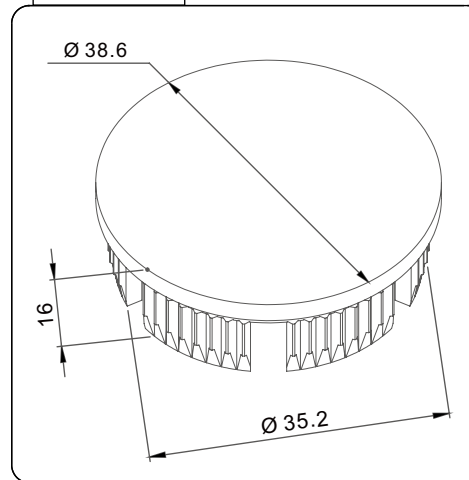
Drawing ID

EC-R38

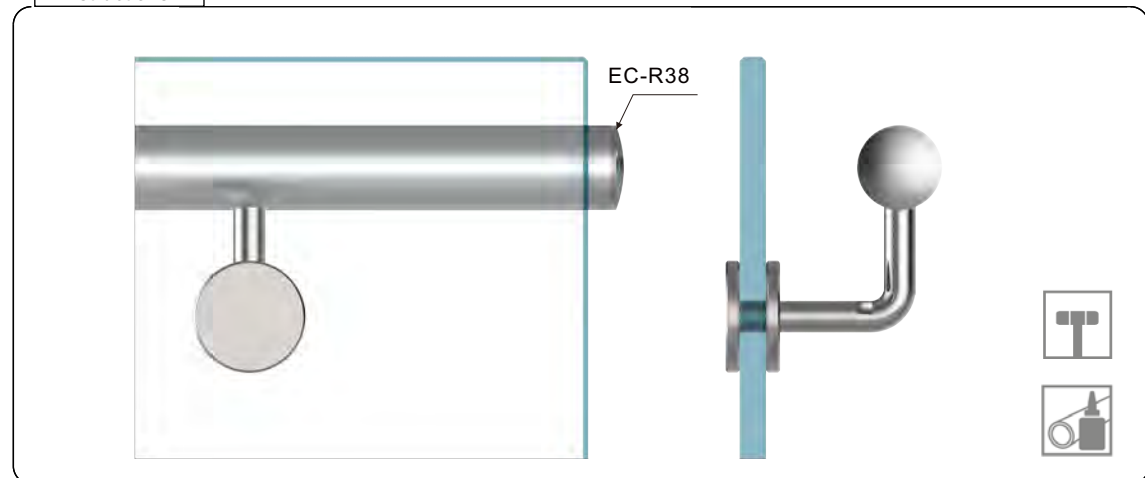
Product Info.

Finish	Code
Polish	EC-R38M
Satin	EC-R38S
Texture Black	EC-R38B
White	EC-R38W
Brush Brass	EC-R38BB

Dimensions



Instructions



MATERIAL:

316 Stainless Steel

CATALOGUE AND DESCRIPTION:

- > Railing Systems
- > Handrail & Fittings -Ø38 Round Series
- > Radiused End Cap for Ø38.1mm Round Tube

NOTES:

This drawing and or specification is the property of Silver Stone Hardware Pty Ltd - and must be returned to them on request. Unauthorised use may result in Legal Action. Its contents must not be made public, nor copied, nor used directly or indirectly in any way.

SILVER STONE HARDWARE PTYLID

56-62 Bryant Street, Padstow, NSW 2211
 T: (02) 9792 2955 M: 0452 526 680
www.silverstonehardware.com.au
sales@silverstonehardware.com.au